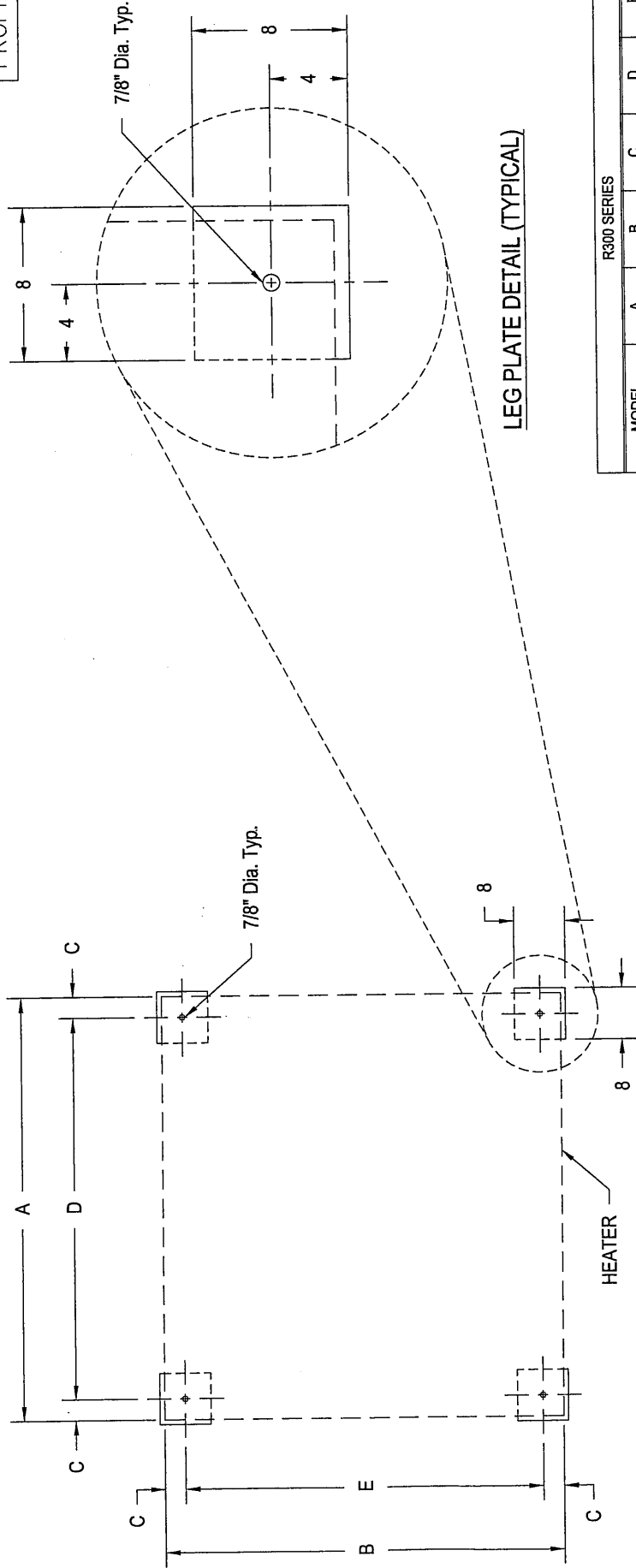


PROPRIETARY



LEG PLATE DETAIL (TYPICAL)

AA SERIES					
MODEL	A	B	C	D	E
AA1700	28	24	3 1/4	21 1/2	17 1/2
AA3000	32	28	3 1/4	25 1/2	17 1/2
AA1 & AA2	40	33	3 1/4	33 1/2	26 1/2
AA3	48	38	3 1/4	41 1/2	31 1/2
AA4	55	47	3 1/4	48 1/2	40 1/2
AA5 & AA6	74	54	3 1/4	67 1/2	47 1/2
AA7	90	70	3 1/4	83 1/2	63 1/2
AA8	98	77	3 1/4	91 1/2	70 1/2

R300 SERIES					
MODEL	A	B	C	D	E
R327	56	52	3 1/4	49 1/2	45 1/2
R330-R336	66	62	3 1/4	59 1/2	55 1/2
R340	74	70	3 1/4	67 1/2	63 1/2
R344-R349	84	80	3 1/4	77 1/2	73 1/2
R354	92	88	3 1/4	85 1/2	81 1/2
R360	98	94	3 1/4	91 1/2	87 1/2
R366	107	103	3 1/4	100 1/2	96 1/2
R373	118	114	3 1/4	111 1/2	107 1/2
R380	128	124	3 1/4	121 1/2	117 1/2
R389	135	131	3 1/4	128 1/2	124 1/2

LAST REVISION: CHANGED AA8 TO NEW CABINET SIZE - 98" x 77"

NOTES:

ALL O-LINES (OR 0,0) WILL ALWAYS BE IN THE LOWER LEFT-HAND CORNER OF THE PART

DRAWING FILE LOCATION: T:\HTR-LIT

REV.	ECO#	DATE	CK BY	NET QTY	MATERIAL	MATERIAL SIZE
D	-	4-22-08	ADR			
C	-	5-26-05	AMB			
B	-	3-20-03	AMB			
A	-	9-12-94	AMB			
AAI PART #:						
PLOT RATIO:	1=24	CK BY:	WO#			
SCALE:	NONE	DRAWN BY:	AMB	DATE:	4-14-93	REV. FILE NO.:
DESC.:	ABSOLUTAIRE, INC. UNIT LEG PAD LOCATIONS					
5496 North Riverview Dr., Kalamazoo MI 49004						
Absolut Air, Inc.						

10001181