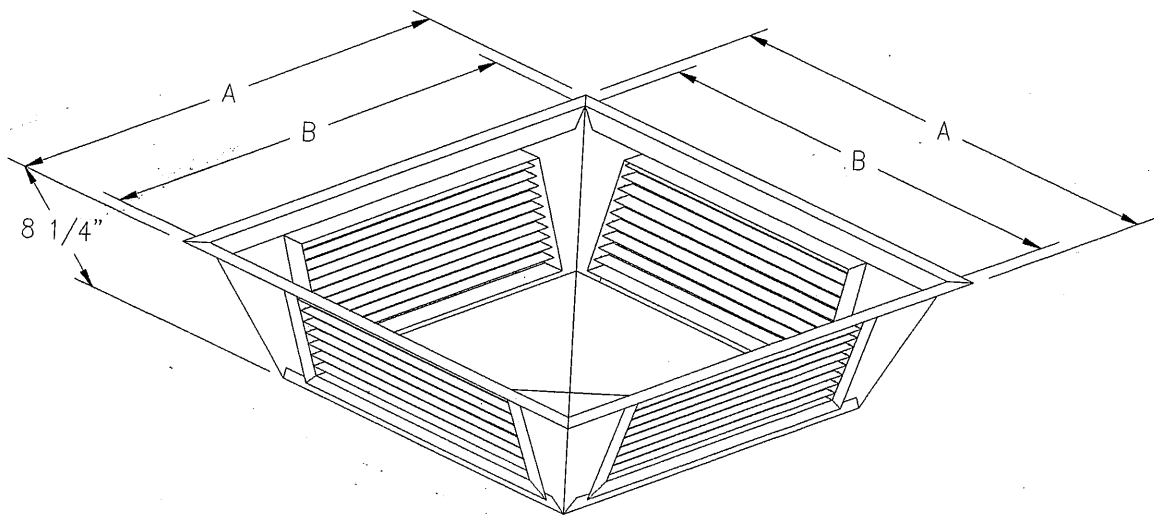




PHONE: 269 382 1875
 PHONE: 800 804 4000
 FAX: 269 382 5291
 WEB: www.absolutaire.com

FOUR-WAY CEILING DIFFUSER

PERFECT FOR KITCHEN SUPPLY AIR AS WELL AS MANY OTHER COMMERCIAL/LIGHT INDUSTRIAL APPLICATIONS



MODEL	DIMENSIONS (INCHES)					ORDER QUANTITY		
	A	B	GRILLE SIZE	TYPICAL CFM	VELOCITY FPM	NET PRICE EACH (+ freight)		
						1-5	6-19	20+
AE-27	30 1/4	28	6 X 18	1950	650	\$148.00	\$142.00	\$133.00
AE-35	38 1/4	36	6 X 26	2800	650	\$163.00	\$156.00	\$146.00
AE-43	46 1/4	44	6 X 34	3500	600	\$210.00	\$201.00	\$188.00

- * HORIZONTAL ADJUSTABLE GRILLES
- * ALUMINIZED STEEL CONSTRUCTION
- * WHITE ENAMEL FINISH

- * DUCT FLANGE (TOP PLATE) BY OTHERS
- * 10 DAY DELIVERY ON MOST ORDERS

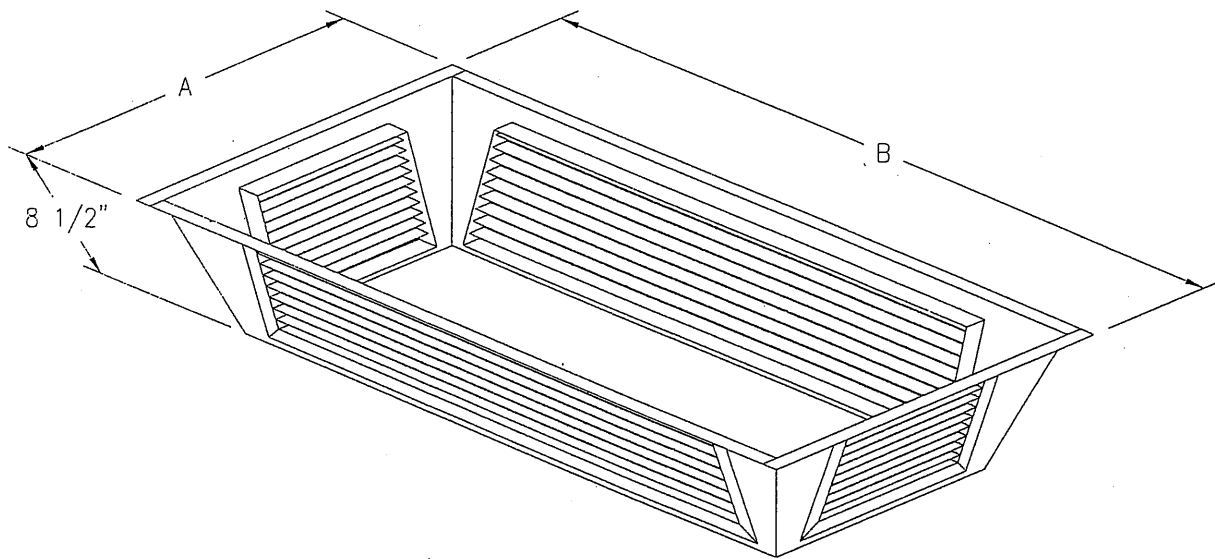
DIFF698.WB1



PHONE: 269 382 1875
 PHONE: 800 804 4000
 FAX: 269 382 5291
 WEB: www.absolutaire.com

FOUR-WAY CEILING DIFFUSER

PERFECT FOR KITCHEN SUPPLY AIR AS WELL AS MANY OTHER COMMERCIAL/LIGHT INDUSTRIAL APPLICATIONS



MODEL	DIMENSIONS (INCHES)					ORDER QUANTITY		
	A	B	GRILLE SIZE	TYPICAL CFM	VELOCITY FPM	NET PRICE EACH (+ freight)		
						1-5	6-19	20+
SC-36	23 3/4	35 3/4	(2) 6 x 12	1950	650	\$160	\$153	\$144
			(2) 6 x 24					
SC-48	23 3/4	47 3/4	(2) 6 x 12	2600	650	\$168	\$161	\$151
			(2) 6 x 36					

- * HORIZONTAL GRILLES
- * ALUMINIZED STEEL CONSTRUCTION
- * WHITE ENAMEL FINISH

- * DUCT FLANGE (TOP PLATE) BY OTHERS
- * 10 DAY DELIVERY ON MOST ORDERS

DIF699.WB1