

**Gas Pressure Switches**  
**Model - G**



**Model - G**

Antunes Controls' new line of Gas Pressure Switches monitors gas pressure and breaks the electrical control circuit when pressure drops below or rises above the desired

set point. The gas pressure settings are adjustable and all models are available in manual or automatic reset operation.

The switches are sturdy and constructed with a durable plastic electrical enclosure and a die-cast aluminum inlet base.

**Features:**

- Compact Design
- Accurate
- Adjustable Setpoints
- Manual or Automatic Reset
- Ventless
- Cost Effective Pricing
- Custom Design per OEM Specifications
- Mounts to Any Modular Valve Body

### Specifications:

#### Reset

LGP-G - Single Unit, Lo-Pressure

HGP-G - Single Unit, Hi-Pressure

#### MODELS-RECYCLE

RLGP-G Single Unit, Lo-Pressure

RHGP-G Single Unit, Hi-Pressure

#### Electrical Ratings

10A @ 125 VAC

10A @ 250 VAC

1/3 HP, 125 & 250 VAC

#### Adjustable operating pressure

.5 W.C. to 4 psi (different ranges)

**Surge pressure:** 15 psi (1 Bar)

**Max. Operating Pressure:** 6 psi (400 mbar)

#### Ambient Operating Temperature:

-40° to 140°F (-40° to 60°C)

Field wiring to be rated @ 60°C for maximum 140°F ambient.

**Shipping Weight:** .5 lbs. (.225 kilos)

#### Options: (Contact Antunes Controls)

\*NEMA 4 (IP -65)

4-Pin DIN Connector

Neon Lamp Indicator

Side Mounting

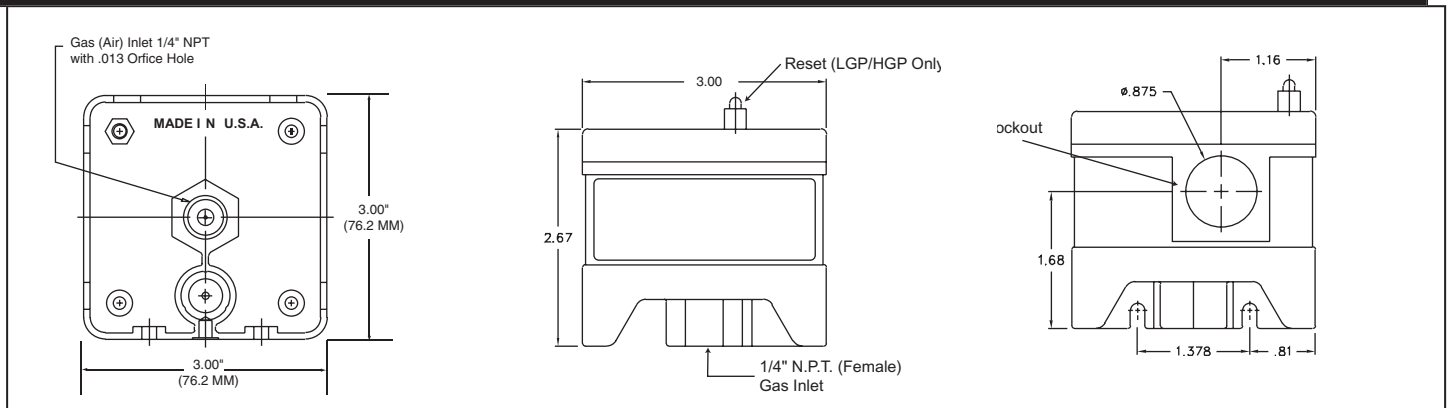
### Low Ranges Available:

	Part No.	W.C.	mbar
<b>LGP-G</b>	8103116101	.5" - 4"	1.3 - 10
	8103116202	1" - 20"	3 - 50
	8103116303	5" - 30"	12.5 - 75
	8103116407	7" - 55"	17.5 - 137
<b>RLGP-G</b>	8104116102	.5" - 4"	1.3 - 10
	8104116203	1" - 20"	2.5 - 50
	8104116304	.5" - 30"	12.5 - 75
		<b>PSI</b>	<b>Bar</b>
	8104118005	1 - 4	.07 - .28

### High Ranges Available:

	Part No.	W.C.	mbar
<b>HGP-G</b>	8101111202	.2" - 20"	5 - 50
	8101111303	8" - 35"	20 - 87
	8101111407	10" - 60"	25 - 150
<b>RHGP-G</b>	8102111102	.8" - 4"	2 - 10
	8102111203	2" - 20"	5 - 50
	8102111304	5" - 35"	12.5 - 87
		<b>PSI</b>	<b>Bar</b>
	8102113005	1 - 4	.07 - .28

### Dimensions:



Limitation of Liability. If it is understood and agreed that seller's liability whether in contract, in tort, under any warranty, in negligence or otherwise, shall not exceed the return of the amount of the purchase price paid by purchaser and under no circumstances shall seller be liable for special, indirect or consequential damages. The price stated for the equipment is a consideration in limiting seller's liability. No action, regardless of form, arising out of the transactions may be brought by purchaser more than one year after the cause of action has accrued.