

V4295/V8295 Series

CLASS "B" SOLENOID VALVE V4295A1/V8295A1



FEATURES

- Normally Closed safety shut-off valve.
- Non regulated ON/OFF.
- Opening/closing time: <1 sec.
- Maximum working frequency: 20 cycles/min.
- Wrench boss as well on inlet side as on outlet side for pipe fitting incorporated in the valve housing.
- 3 auxiliary pressure taps with NPT 1/4" threaded connections, 2 on the inlet and 1 on the outlet pressure side.
- Coil field replaceable.
- Coil suitable for permanent energization.
- Coil turnable over 360°.
- Internal fine mesh screen.
- Option for mounting valve position indication switch at 5 psi series valves from 1" to 2".

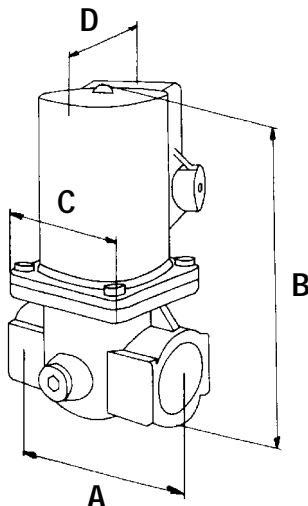


Fig. 6. Dimensional drawing V4295A/V8295A Series

APPLICATION

The V4295/V8295 Series are specially designed for the North American market. The electrically operated V4295A solenoid gas valves control the flow of natural and LP (liquefied petroleum) gases.

These valves are used on atmospheric boilers, commercial water heaters, roof-top make-up air burners, power burners and boilers.

SPECIFICATION

Model

V4295A/V8295A, Normally Closed safety shut-off valve.

Dimensions

See figure and table below.

Pipe sizes

Inlet and outlet 3/8" up to 3" internal NPT pipe thread.

Mounting and orientation

The valve may be assembled on the pipeline within plus or minus 90 degrees of the vertical axis and 30 cm. air space around the coil assy.

Capacity

See capacity curves for V4295A/V8395A serie on page 69.

Maximum operating pressure

Rp 3/8" to Rp 2" : 350 mbar (5.0 psi)

Rp 3/8" to 3" : 140 mbar (2.0 psi)

Supply voltage

Line voltage: 120 Vac, 50/60 Hz

24 Vac, 50/60 Hz

Ambient temperature range

-40 ... 63 °C (-40 ... 145 °F)

Electrical connection

Plug connection

Coil insulation solenoid valves

Insulation material according to class F.

Enclosure

NEMA 1

Valve body

Aluminium alloy die-cast

Strainer

AISI 303 steel

Closing spring

AISI 302 steel

Valve plunger

Chrome plated Fe 360B steel sliding on anti-friction bearing.

Seals and gaskets

Hydrocarbon resistant NBR rubber type.

Standards and Approvals

Underwriters Laboratories, Inc., File Number MH 18476,

Guide number YLOZ

AGA and CGA, File Number C2030014

Complies with standard ANSI Z21.21-CGA6.5

Automatic Valves for gas appliances and automatic safety

shut-off gas valves (revised edition of the former ANSI

Z21.21, CAN/CGA-6.5-M89, CAN/CGA-3.9-M87)

Factory Mutual (3/8", 1/2" and 3/4" only)

CSD-1 Acceptable.

Table 7. V4295A1 Series, Normally Closed safety shut-off valve.

O.S. Number	Rated Voltage (Vac)	Connect. (inch) NPT thread	Passing DN	Maximum Operating Pressure (mbar)	Overall Dimensions (mm)				Power Cons. (W)	Enclosure	Weight (kg)	Bottom Plug
					A	B	C	D				
V4295A1098	120	3/8	10	350	72	113	52	95	18	NEMA 1	1	-
V4295A1007	120	3/8	10	140	72	113	52	95	17	NEMA 1	1.1	-
V8295A1008	24	3/8	10	140	72	113	52	95	20	NEMA 1	1.1	-
V4295A1106	120	1/2	15	350	72	113	52	95	18	NEMA 1	1	-
V4295A1015	120	1/2	15	140	72	113	52	95	17	NEMA 1	1.1	-
V8295A1016	24	1/2	15	140	72	113	52	95	20	NEMA 1	1.1	-
V4295A1114	120	3/4	20	350	87	155	69	103	23	NEMA 1	2	-
V4295A1023	120	3/4	20	140	87	155	69	103	17	NEMA 1	1.3	-
V8295A1024	24	3/4	20	140	87	155	69	103	20	NEMA 1	1.3	-
V4295A1122	120	1	25	350	100	160	75	103	23	NEMA 1	1.3	-
V4295A1031	120	1	25	140	100	160	75	103	17	NEMA 1	1.3	-
V8295A1032	24	1	25	140	100	160	75	103	20	NEMA 1	1.3	-
V4295A1130	120	1 1/4	32	350	150	217	110	125	60	NEMA 1	4.8	-
V4295A1049	120	1 1/4	32	140	150	217	110	125	37	NEMA 1	3.2	-
V8295A1040	24	1 1/4	32	140	150	217	110	125	38	NEMA 1	3.2	-
V4295A1148	120	1 1/2	40	350	150	217	110	125	60	NEMA 1	4.8	-
V4295A1056	120	1 1/2	40	140	150	217	110	125	33	NEMA 1	4.4	-
V8295A1057	24	1 1/2	40	140	150	217	110	125	40	NEMA 1	4.4	-
V4295A1155	120	2	50	350	170	234	135	135	58	NEMA 1	6.1	-
V4295A1064	120	2	50	140	170	234	135	135	56	NEMA 1	6.1	-
V8295A1065	24	2	50	140	170	234	135	135	67	NEMA 1	6.1	-
V4295A1072	120	2 1/2	65	140	241	234	200	156	65	NEMA 1	13	-
V4295A1080	120	3	80	140	241	234	200	156	74	NEMA 1	14	-