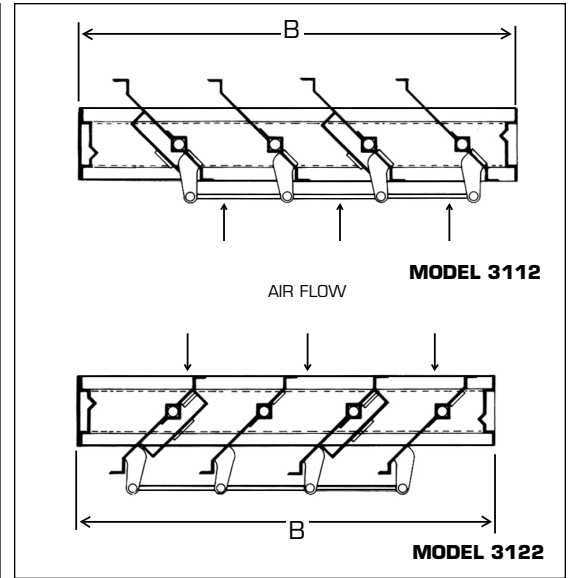
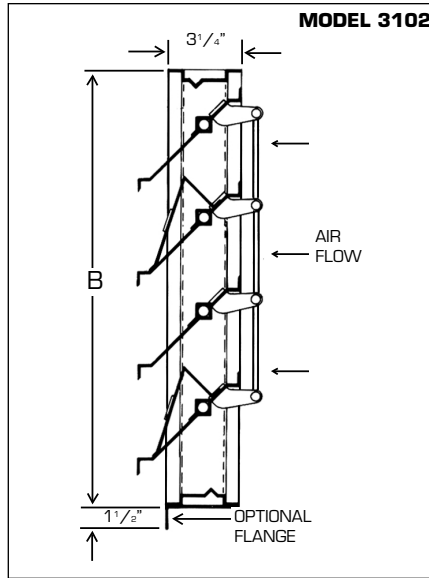




**CERTIFICATION & SUBMITTAL
MODEL 3100
Counter-Balanced Backdraft Dampers**



STANDARD SPECIFICATIONS

- **FRAME:** 14 ga. press formed steel.
- **BLADES:** .080 aluminum with press formed "V" reinforcement.
- **ADJUSTABLE BLADES:** 1-1/2" diameter plated steel washers on slotted aluminum brackets; maximum 2 brackets per section.
- **COUNTERWEIGHTS:** 1/4" x 1-1/4" galvanized steel bars.
- **AXLES:** 1/2" Dia. X 2" C1018 plated steel.
- **BEARINGS:** 1/2" I.D. ball bearings.
- **LINKAGE:** .063 semi-hard aluminum center brackets and 1/4" dia. plated C1018 steel rod.
- **CONSTRUCTION:** Welded frame and riveted hardware.
- **FINISH:** Standard Mill.
- **MAXIMUM SINGLE SECTION:** 48" x 48"
- **MINIMUM SIZE:** 6" x 8"

OPTIONS

- 06 Blade Edge seals (Dual Durometer Vinyl - Max. 200°F).
- 12 Nylon Bearings (Bushings).
- 31 Flange, 1-1/2" fastened to damper frame.
- 86 Aluminum Frame Construction.
- 87 Stainless Steel Construction.
- 89 Sleeve.
- 95 Finishing.

NOTES

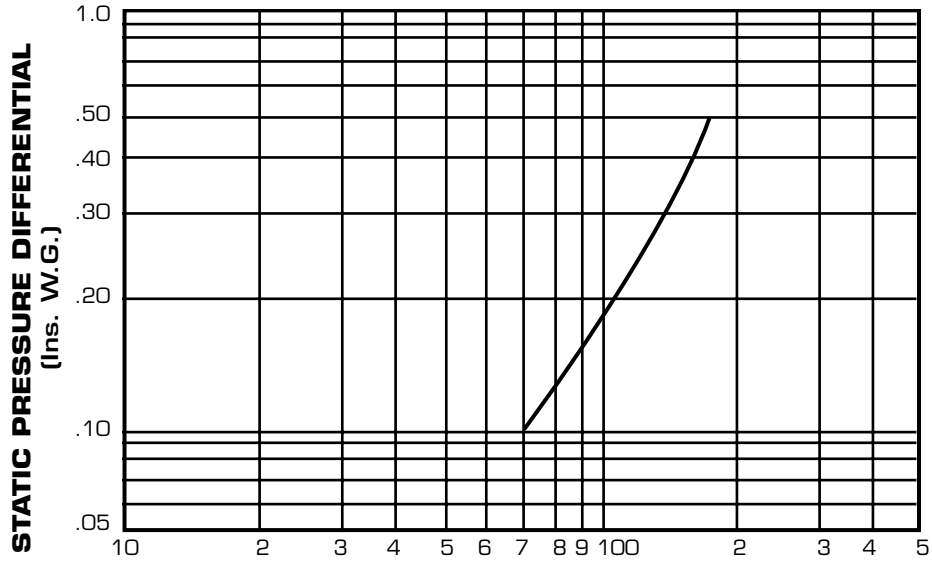
1. Dampers are counterbalanced to open at approximately 1/8" static pressure water gauge.
2. A and B are opening dimensions. Unless otherwise specified, dampers are made 1/4" undersize.
3. If "B" dimension is 14" or less, unit is constructed with a single blade.
4. "A" dimension is width of damper measured parallel to the blades.
5. Maximum velocity 1500 FPM.



**PERFORMANCE DATA
MODEL 3100
Counter-Balanced Backdraft Dampers**

*This performance information is derived from testing in accordance with AMCA Standard 500; with test set up figure 5.4 (leakage) and figure 5.3 (pressure drop).

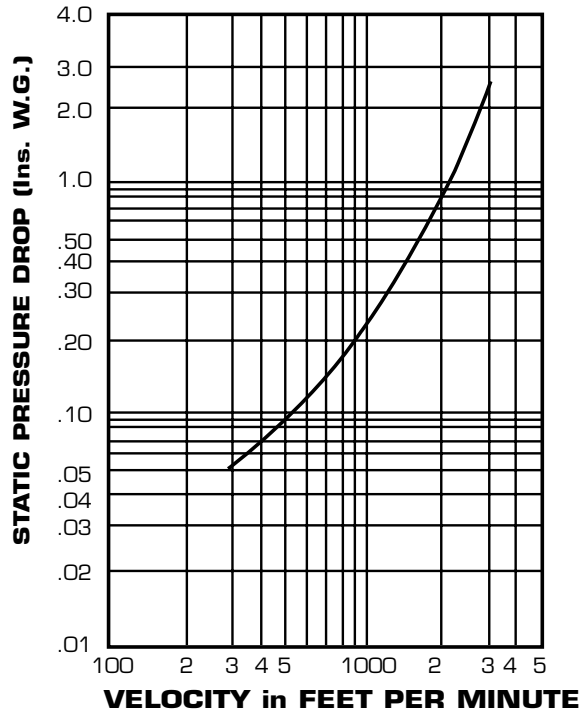
LEAKAGE CHART



**LEAKAGE IN SCFM
(Test size: 24" X 24")**

NOTE: The leakage curve shown is for reference only.

AIRFLOW CHART



NOTES

- 3100 Models not recommended for fan discharge.
- Maximum velocity 1500 F.P.M.
- At a face velocity of 1000 F.P.M. pressure drop shall not exceed .28 inches W.G.