

MANUAL RESET LIMIT THERMOSTAT

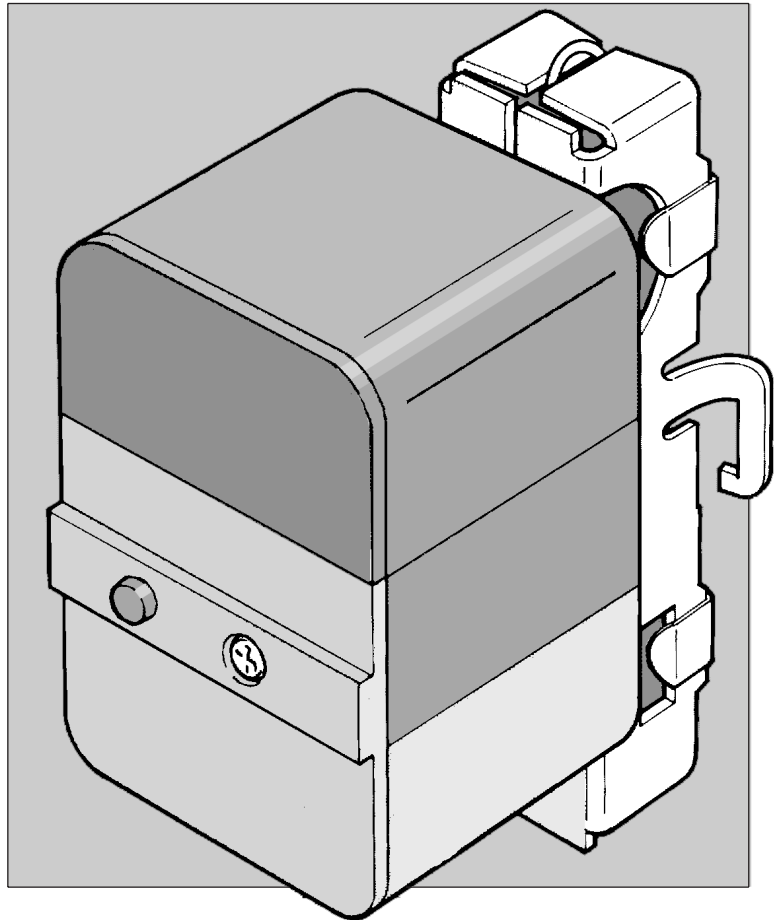
L6190C

FEATURES

- Fast response liquid fill sensor.
- Strap on mounting.
Does not require draining the system.
- Concealed setting.
Prevents unauthorised adjustment.
- SPDT switch contacts.

OPTION

- L6190B Cylinder Thermostat
(without manual reset).



APPLICATION

The L6190C is a high limit thermostat which requires manual resetting each time the contacts break on temperature rise. Typically used on indirectly heated unvented domestic hot water storage units in conjunction with a V4043H zone valve.

The L6190B is a control thermostat, which can have either user accessible screwdriver adjustment of the set point or tamperproof concealed adjustment. The switch differential can be fixed or adjustable.

MANUAL RESET LIMIT THERMOSTAT

L6190C

Ordering Specification

O.S. NUMBER	APPLICATION	TEMPERATURE RANGE °C	SWITCH DIFFERENTIAL (K)	SWITCH TYPE	SETTING MEANS	REMARKS
L6190B2014	Controller	25 to 95	12	SPDT	External setting	
L6190B2030	Controller	25 to 95	4 to 10 (adjustable)	SPDT	Internal tamperproof	
L6190C2004	Limit	25 to 95	8	SPDT	Internal tamperproof	Manual reset

Installation

The L6190 Thermostat can be fixed to the surface of a cylinder or pipework using the mounting straps provided and does not require the system to be drained.

Specification

Switch Type : SPDT

Range : 25 to 95°C

Differential : Fixed or adjustable

Max. Ambient Temp. : 70°C

Strap length : 2,000mm

Capillary length : 55mm

EC Directive : Conforms to 73/23/EEC

Electrical Ratings

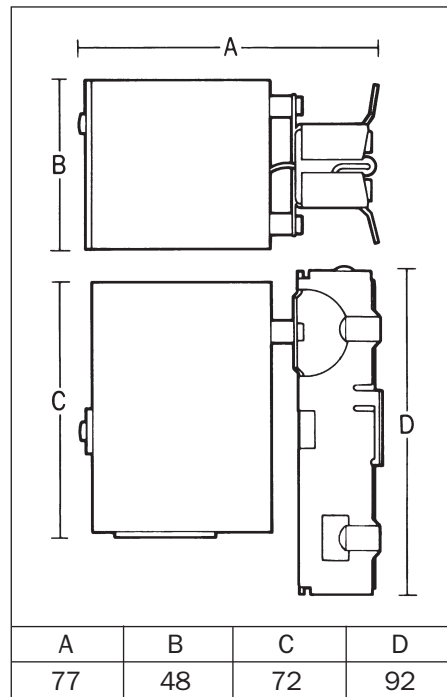
10A@250V AC Resistive

2.5A@250V AC Inductive

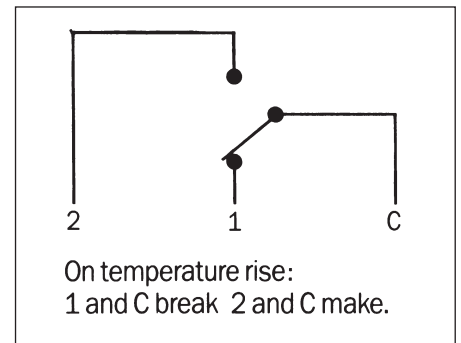
15A@250V AC Locked Rotor

2A@24V AC Inductive

Dimensions (mm)



Contact Arrangement



CE