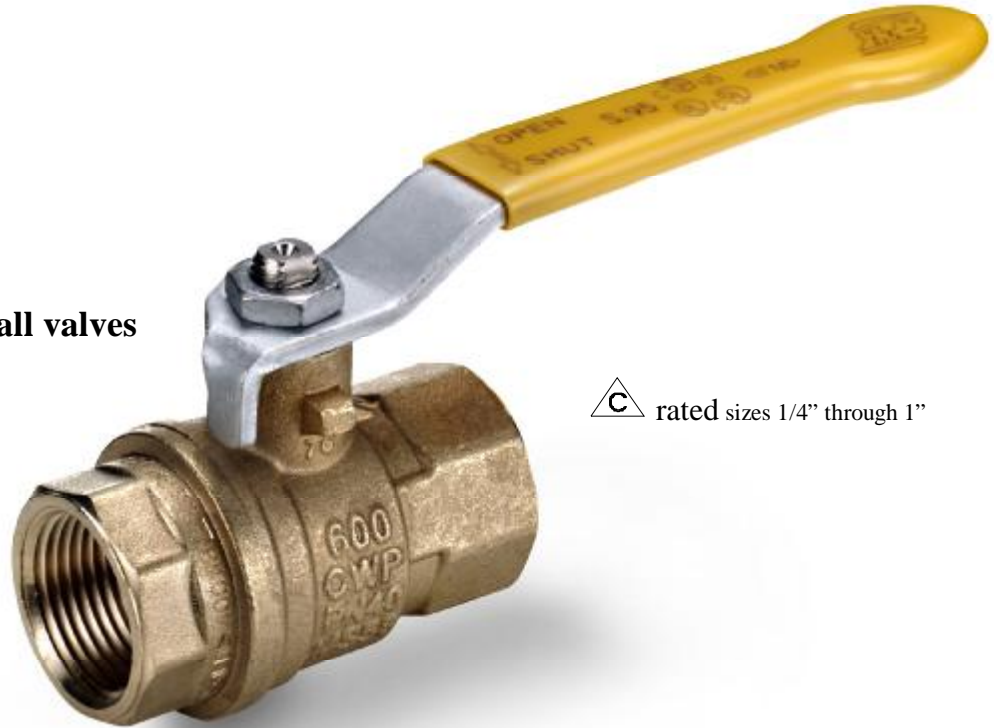



# s.95 NPT

full port 1/4"-4"

hot forged brass ball valves



 rated sizes 1/4" through 1"

## Features and Specifications:

- \* **Hot forged** sand blasted, unplated brass body and cap sealed with Loctite,
- \* **Approved by** Canadian standards Association (CSA formerly AGA and CGA), Underwriters Laboratories (UL), Canadian Underwriters Laboratories (cUL), Factory Mutual (FM), IAPMO (UPC) and **meeting** WW-V-35C Federal U.S. Specification, Suruhanjaya Tenaga (MY),
- \* Finest brass according to **EN 12165** and **EN 12164** (formerly DIN 17660 and UNI 5705-65) specifications,
- \* **Full port** to DIN 3357 for maximum flow,
- \* **24h 100%** seal test guaranteed,
- \* Pure **PTFE** self-lubricating seats with flexible-lip design,
- \* Dual sealing system allows valve to be operated in either directions making **installation easier**,
- \* Chrome plated brass ball for **longer life**,
- \* **No metal-to-metal** moving parts,
- \* **Blowout-proof** nickel plated brass stem,
- \* Two Viton O-rings at the stem for **maximum safety**,
- \* **No maintenance** ever required,
- \* Handle stops on body to **avoid stresses** at stem,

- \* **Handle removable** with valve in service,
- \* **Dacrotized** carbon steel handle with thick PVC dip coating,
- \* Handle clearly shows **ball position**,
- \* **NPT taper ANSI B.1.20.1** Female by Female threads,
- \* **Silicone-free** lubricant on all seals,
- \* 600 PSI up to 2", 450 PSI over 2", non-shock cold working **pressure**,
- \* **-40°F +350°F temperature**.

## Options up to 2" size:

- \* Stem **extension**,
- \* **Oval lockable handle**,
- \* **T-handle**,
- \* **AISI 430 stainless steel handle**,
- \* Patented **locking device** for valves up to 4".

## Upon request:

- \* **AISI 316 stainless steel ball and/or stem**,
- \* **Glass filled PTFE** seals,
- \* Custom design.



NOTE: Approvals apply to specific configurations only.



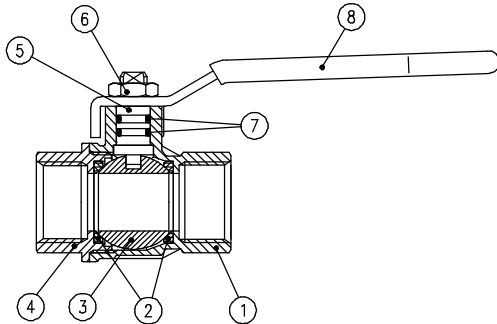


Fax+39 030 2629498  
 Phone+39 030 212441  
<http://www.rubvalves.com>  
 email: [sales.director@rubvalves.com](mailto:sales.director@rubvalves.com)

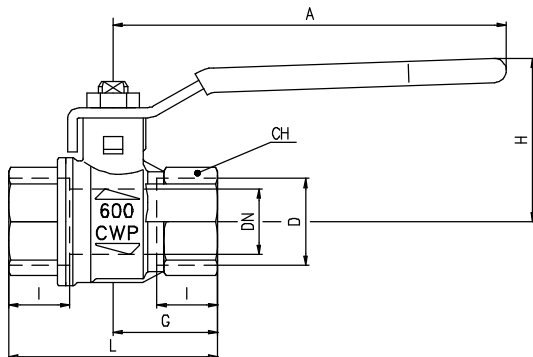
**RUBINETTERIE UTENSILERIE BONOMI SRL**

VIA PADANA SUPERIORE, 27/29 - FRAZ. CILIVERGHE, 25080 MAZZANO (BS) - ITALY

1.1/4" ÷ 2" hollow ball



PART DESCRIPTION	Material	Q.ty
1 S.95 unplated NPT body	CW617N RUB001	1
2 Seat ØØ-84	Ptfe RUB008	2
3 Chrome plated ball	CW617N RUB001	1
4 S.92 unplated NPT end cap	CW617N RUB001	1
5 Nickel plated stem O-Ring design	CW614N RUB001	1
6 Dacrotized nut	C10 RUB003	1
7 Green O-Ring	Viton RUB009	2
8 Yellow dacrotized steel handle	Fe50 RUB003	1

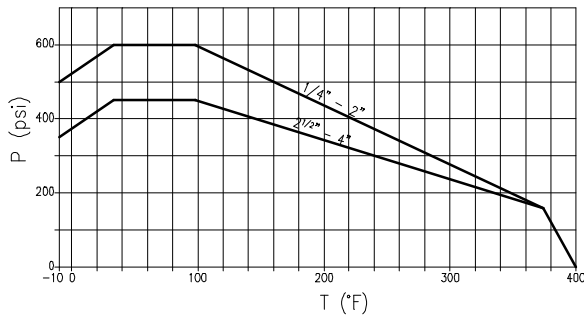


Code	S95B41	S95C41	S95D41	S95E41	S95F41	S95G41	S95H41	S95I41	S95L41	S95M41	S95N41
D (inch)	1/4	3/8	1/2	3/4	1	1 1/4	1 1/2	2	2 1/2	3	4
DN (inch)	0.314	0.393	0.590	0.787	0.984	1.259	1.574	1.968	2.559	3.149	3.937
I (inch)	0.472	0.472	0.610	0.669	0.826	0.905	0.905	1.043	1.260	1.377	1.633
L (inch)	1.771	1.771	2.322	2.519	3.188	3.661	4.015	4.763	6.141	6.968	8.504
G (inch)	0.885	0.885	1.161	1.259	1.594	1.830	2.007	2.381	3.070	3.484	4.252
A (inch)	3.228	3.228	3.937	4.724	4.724	6.220	6.220	6.220	10.039	10.039	10.039
H (inch)	1.496	1.496	1.692	1.968	2.125	2.874	3.110	3.385	5.196	5.511	6.062
CH (inch)	0.787	0.787	0.984	1.220	1.574	1.929	2.125	2.696	3.346	3.897	4.921

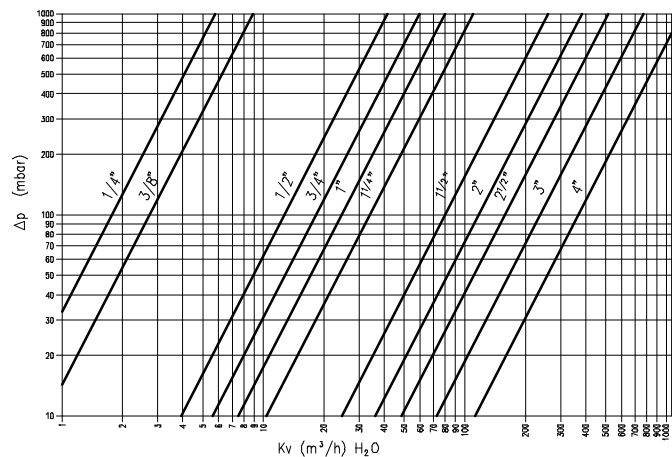
DN shows the nominal flow diameter. Actual flow diameter complies with full port DIN 3357 part 4.

Stem configuration of valves over 2" is slightly different. Ask for details at our Service Center.

Pressure -Temperature chart



Pressure drop chart



Ask for additional information on the whole range of **RuB** valves  
 and consult with your supplier for special applications.



PRINTED ON RECYCLABLE PAPER - April 03 - The company reserves all rights for the information contained herein. Products may be changed at any time without notice.  
 Any undated reference to a code or standard shall be interpreted as referring to the latest edition.