

ImperviTRAN®



ImperviTRAN® is the ultra-reliable industrial control circuit transformer and the most accepted transformer in the industry. Behind its clean design is a toughness that makes it measure up to any requirement placed upon it. ImperviTRAN transformers carry Micron's 20-year warranty.

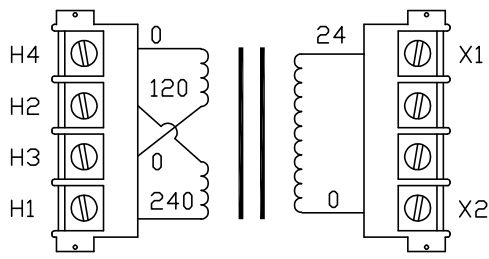
- Epoxy encapsulated coils
- 20-year warranty, double the industry standard
- Secondary fuse clips where applicable
- Optional primary fusing
- Molded terminal barriers
- 10-32 screw terminals
- Molded-in terminals
- Phil-slot screws



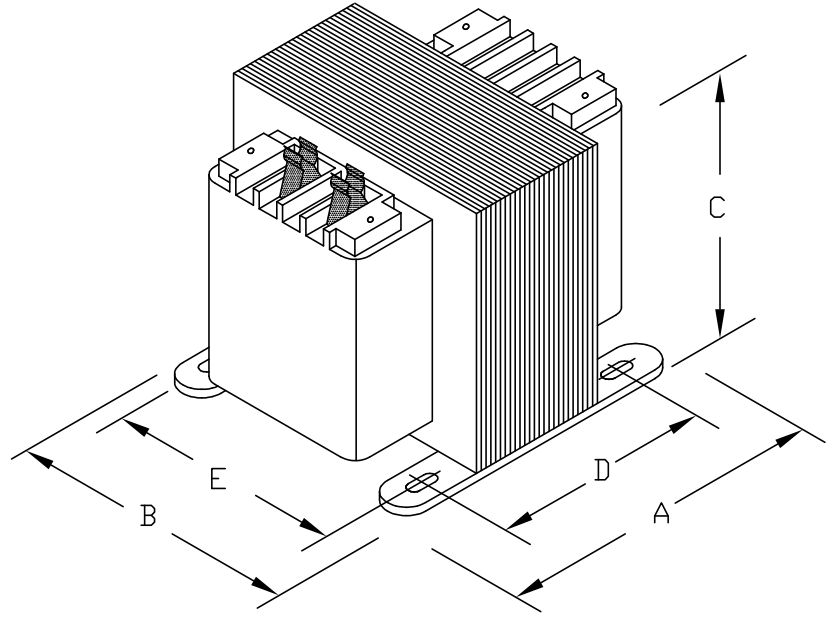
If you have any questions or we can be of any assistance in helping you determine your transformer requirements, please call our Technical Support Group at:

1-800-664-4660





CONNECTION DIAGRAM



PROVIDED WITH PRIMARY J-2 JUMPERS AND SECONDARY FUSE CLIPS FOR 13/32 X 1-1/2" FUSE. SECONDARY FUSE CLIPS ADD MAXIMUM OF .05" TO THE "C" DIMENSION.

DIMENSIONS							APPROX.WT. LBS (KG)
	A	B	C	D	E	MTG. SLOTS	
INCHES (MM)	3.44 (87)	3.38 (86)	2.88 (73)	2.38 (60)	2.81 (71)	0.203X0.375 (5.0X10.0)	4.4 (2.0)



MICRON INDUSTRIES CORPORATION
 777 CHURCH ROAD - ELMHURST, IL 60126
 Tel. (800) 664-4660, (630) 516-1222 Fax (630) 516-1820
 www.MicronTransformers.com

CAT.NO. B100LP7JK			CONST. ENCAPSULATED			UL LISTED	
CATALOG GROUP C			MODEL IMPERVITRAN				
RATING							SF CERTIFIED
OUTPUT AMPS	4.17	PRIMARY V	120X240	TEMP. CLASS	HZ		
VA	100	SECONDARY V	24	105°C	50/60	REVISION G	