

# Edwards® 48SLED Series AdaptaBeacon® LED Steady-On Lights

## PLC Compatible\*

### Features

- PLC compatible
- Multiple LED cluster reflected from double parabolic inner reflector
- Available in 24V DC and 120V AC 50/60 Hz
- 100,000 hour light source life
- NEMA 4X Enclosure
- Snap-on high impact polycarbonate/ABS base
- Shatter resistant polycarbonate lens

### Description

The Edwards 48SLED Series AdaptaBeacon LED steady-on lights are designed to meet continuous visual signaling requirements. The unique double fresnel lens has been optically engineered to maximize brilliance. This is accomplished with a series of complementing fresnels that cause the dome to "fill" when the light is operating. Beam distance is increased with fresnel lenses.

The AdaptaBeacon LED clusters are internally oriented to allow viewing when the unit is mounted either horizontally or vertically.

### Agency Approvals

- UL Listed
- NEMA 4X enclosure
- CSA Certified

### Specifications

- Immune to shock and vibration - no moving parts
- Lenses available in four colors: amber, blue, green, and red

### Installation

Designed for indoor or outdoor installation. May be direct, conduit, or box mounted on a 4" (102mm) octagon box on any plane. However, vertical installation ensures maximum beam width projection. For weather-proof installations units must be

mounted vertically with dome up. May be corner mounted indoors using the Cat. No. CBR, corner mount bracket, or wall mounted indoors using the Cat. No. WBR, wall mount bracket. See AdaptaBeacon Accessories, page 3-117.

### Applications

Edwards long life steady-on LED beacons are ideally suited for applications where a continuous steady-on



Cat. No. 48SLED

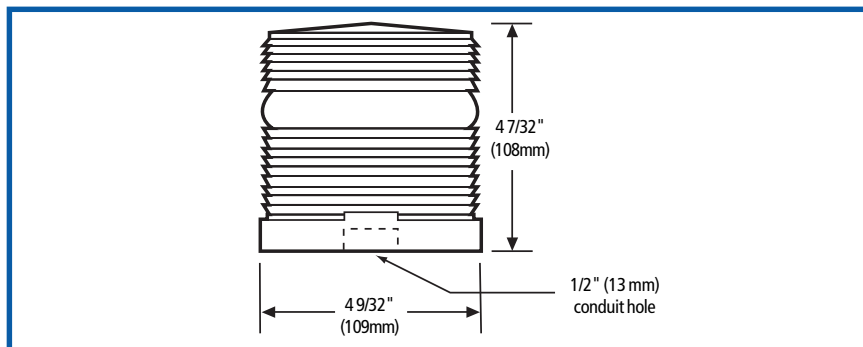
status indicator is required and where ambient noise makes audible signals difficult to hear. The 48SLED is ideal where multiple, smaller, stand-alone visual signals are required. The gasketed NEMA 4X enclosure assures installation acceptability in most industrial and commercial locations.

### \*PLC COMPATIBILITY

This device may be operated by PLCs that match the input load requirements of this signal. Be sure to match the input load characteristics of the signal with the output characteristics of the PLC before connecting.

### Signal Input Load Characteristics

| Cat. No.    | Operating voltage<br>Volts/60 Hz | Max. off state<br>leakage current<br>mA | Cont. on<br>current<br>mA | Surge<br>(inrush/duration)<br>Amps/milliseconds |
|-------------|----------------------------------|---|---------------------------|---|
| 48SLED(-)G1 | 24V DC                           | 4                                       | 65                        | .07/1   |
| 48SLED(-)N5 | 120V AC                          | 5                                       | 25                        | .09/8   |



### Ordering and Technical Data

| Cat. No.   | Lens Color | Replacement Lens Cat. No. | Electrical Rating | Lamp Life   | Lumen Output* |
|------------|------------|---------------------------|-------------------|-------------|---------------|
| 48SLEDA-G1 | Amber      | 96-LA                     | 24V DC            | 100,000 hr. | 38 lumens     |
| 48SLEDB-G1 | Blue       | 96-LB                     | 0.065A            |             | 35 lumens     |
| 48SLEDG-G1 | Green      | 96-LG                     |                   |             | 102 lumens    |
| 48SLEDR-G1 | Red        | 96-LR                     |                   |             | 28 lumens     |
| 48SLEDA-N5 | Amber      | 96-LA                     | 120V 50/60 Hz     | 100,000 hr. | 38 lumens     |
| 48SLEDB-N5 | Blue       | 96-LB                     | 0.025A            |             | 35 lumens     |
| 48SLEDG-N5 | Green      | 96-LG                     |                   |             | 102 lumens    |
| 48SLEDR-N5 | Red        | 96-LR                     |                   |             | 28 lumens     |

\*Manufacturer's lumen rating is per LED.