

Product Description

The L02-01-0107 wall mounted temperature sensor uses a 10K Ohm (Type III) Thermistor. The 10K Ohm Type III Thermistor will provide a predictable output over a specified temperature range to meet the required input value.

The L02-01-0107 should be used in applications where an adjustable setpoint and "After Hours" normally-open override. Thermistors offer high accuracy and interchangeability over a wide temperature range.

The thermistors higher resistance relative to Platinum RTD's, creates a larger signal with the same measuring current, negating most lead wire resistance problems and eliminating the need for signal conditioners.

This unit is offered in a wall mount configuration with Setpoint and Override. The setpoint is a linear 10K slide potentiometer that is Direct Acting, with a 55 to 85 indication sticker. The override option shorts the thermistor for tenant override.

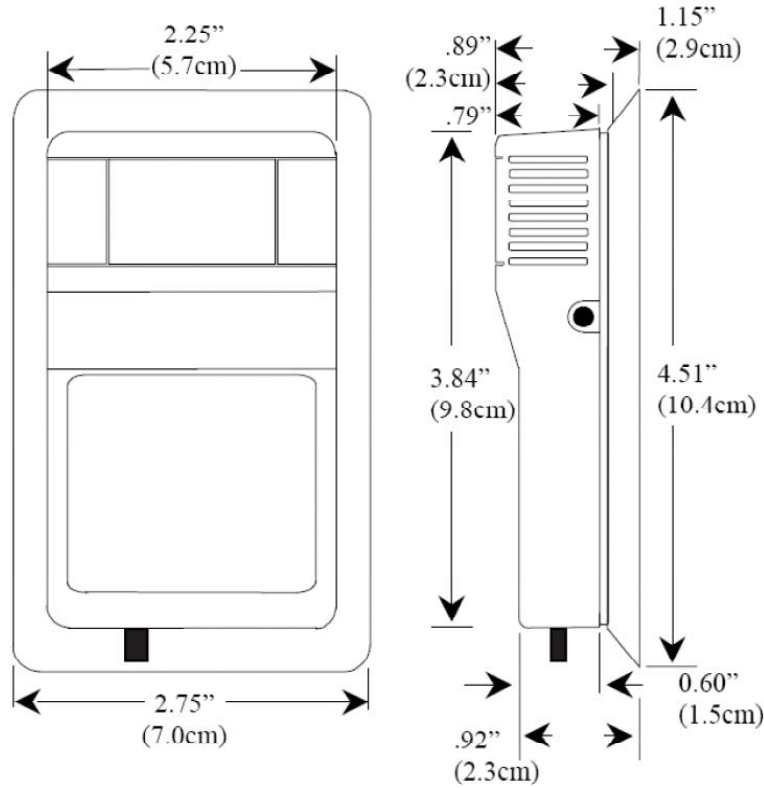


Technical Data

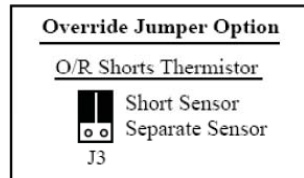
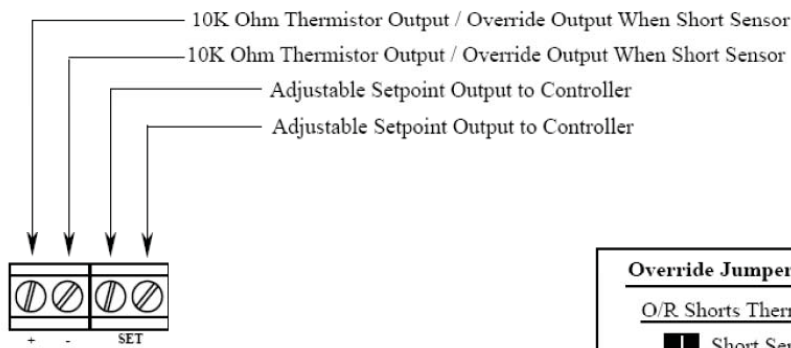
Sensor Output	• 10K Ohms @ 77oF(25oC) Type III
Temperature Range	• -40 to 302oF (-40 to 150oC)
Interchangeability	• +/- 0.2oC (0 to 70oC)
Sensor Stability	• +/- 0.13oC
Operating Humidity	• 0 to 90% RH non-condensing
Setpoint Range	• 0 to 10K Ohms +/- 10%
Dissipation Constant	• 3 mW / oC

Device Detail

Dimensions



Wiring Diagram



Ordering Information

Model #	Description
L02-01-0107	Wall Mounted Temperature Sensor with Setpoint and Override