

32003039-001 Position Indication Lamp Kit

INSTALLATION INSTRUCTIONS

APPLICATION

the 32003039-001 Position Indication Lamp Kit, when installed in the C6097A,B Pressure Switch, provides a lighted indication when the pressure switch opens.

CONTENTS

The kit consists of a plastic bag containing the following parts (see Fig. 1):

1. Lamp and wires.
2. Terminal plate.
3. Captive screw and nut.
4. Screw.

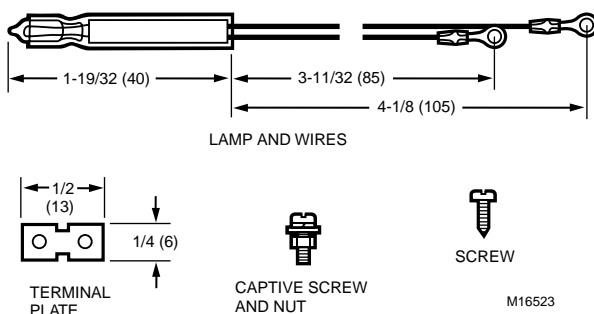


Fig. 1. 32003039-001 Position Indication Lamp Kit.

INSTALLATION

⚠ WARNING

Explosion or Fire Hazard.
Can cause severe personal injury, death or property damage.
Observe all safety requirements each time a control is installed on a burner.

When Installing this Product...

1. Read these instructions carefully. Failure to follow them can damage the product or cause a hazardous condition.
2. Check the ratings given in the instructions and on the product to make sure the product is suitable for your application.
3. Installer must be a trained, experienced flame safeguard service technician.
4. After installation is complete, check out product operation as provided in these instructions.

⚠ WARNING

Electrical Shock Hazard.
Can cause serious personal injury or death.
Disconnect power supply before beginning installation. More than one disconnect can be involved.

Installing the Position Indication Lamp Kit (See Fig. 2)

1. Remove the cover from the C6097 by removing the screws in the upper left and lower right quadrants of the cover.
2. Place the lamp in the slot to the right of the dial, in the upper right-hand corner of the C6097, with the base of the lamp down.
3. Run the two lamp wires through the slit in the upper left corner of the lamp slot.
4. Place the nut in the hexagonal depression in the lower left-hand corner of the C6097.
5. Place the terminal plate over the nut and fasten the terminal plate to the C6097 with the screw through the bottom hole in the terminal plate.
6. Place the captive screw through the terminal lug on the shorter wire and fasten the wire to the terminal plate with the captive screw secured by the nut under the terminal plate.
7. Using Fig. 3 or 4 for reference, fasten the terminal lug on the longer lamp wire to either the normally open (NO) or normally closed (NC) terminal of the C6097.
8. Replace the C6097 cover and secure with the screws removed in step 1.



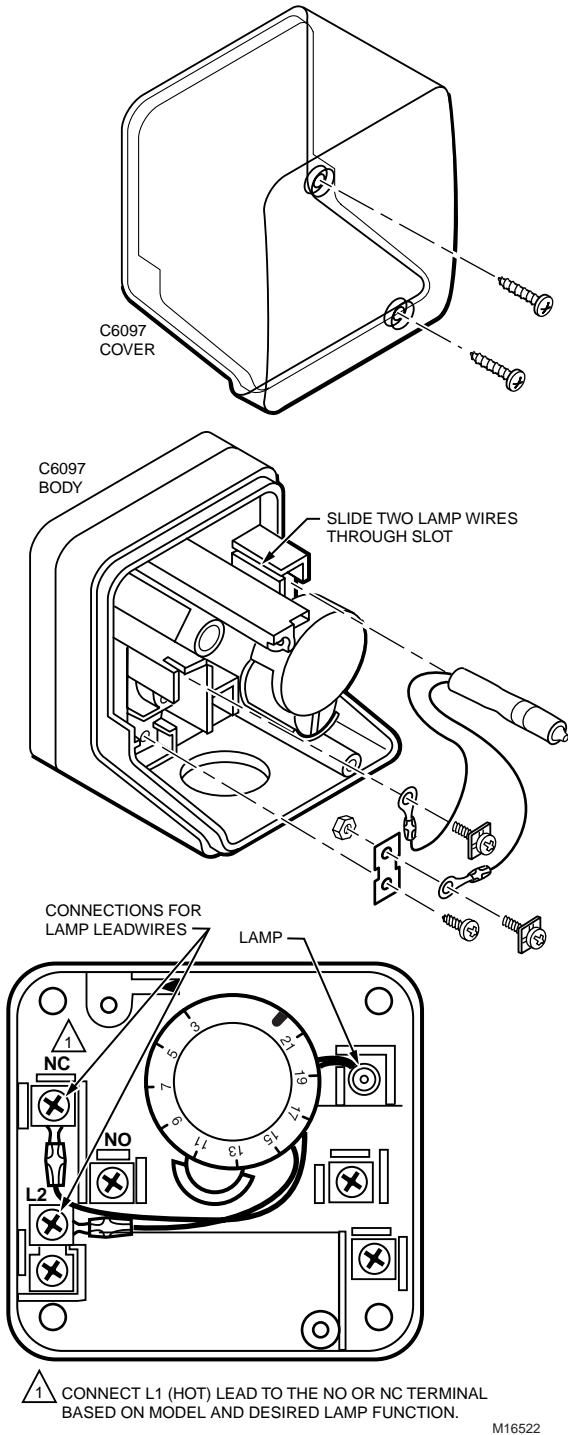


Fig. 2. Installing the Position Indication Lamp Kit.

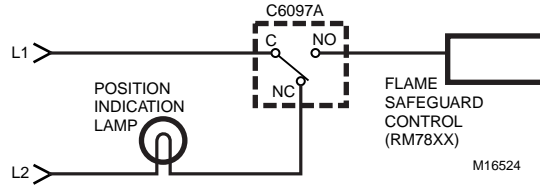


Fig. 3. Wiring the Position Indication Lamp Kit in the C6097A.

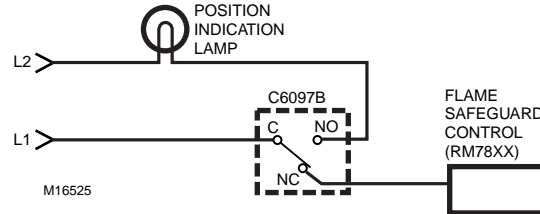


Fig. 4. Wiring the Position Indication Lamp Kit in the C6097B.

OPERATION

The Position Indicator Lamp will light when the C6097 Pressure Switch opens and provides power to the lamp. See Fig. 3 or 4. An optional alarm circuit can also be connected.

Honeywell

Home and Building Control
 Honeywell Inc.
 Honeywell Plaza
 P.O. Box 524
 Minneapolis, MN 55408-0524

Home and Building Control
 Honeywell Limited-Honeywell Limitée
 155 Gordon Baker Road
 North York, Ontario
 M2H 3N7