

Features

- 2-way normally closed operation
- Unique double disc design with overtravel provides redundant sealing for leak tight shutoff
- Die-cast aluminum bodies
- Zero differential piloted diaphragm
- For on-off control of fuel gas in commercial and industrial gas burners
- Valves provided with 1/8" NPT upstream and downstream pipe taps with plugs for routine testing

Construction

Valve Parts in Contact with Fluids	
Body	Aluminum
Seals and Disc	NBR
Core Tube	305 Stainless Steel
Core Guide	Acetal (20.1 watt only)
Rider Ring	PTFE (20.1 watt only)
Core and Plugnut	430F Stainless Steel
Springs	302 Stainless Steel
Shading Coil	Copper
Pipe Plug	Zinc-Plated Steel

Electrical

Standard Coil and Class of Insulation	Watt Rating and Power Consumption					Ambient Temp. °F	Spare Coil Family			
	DC Watts	AC			General Purpose		Explosionproof			
		Watts	VA Holding	VA Inrush				AC	DC	AC
F	-	17.1	40	93	-40 to 125	238610	-	-	-	
F	-	20.1	48	240	-40 to 125	272610	-	-	-	
F	22.6	-	-	-	-40 to 104	-	238710	-	-	

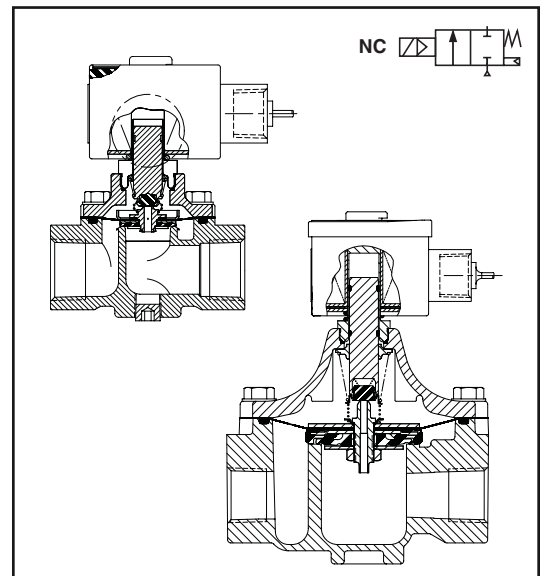
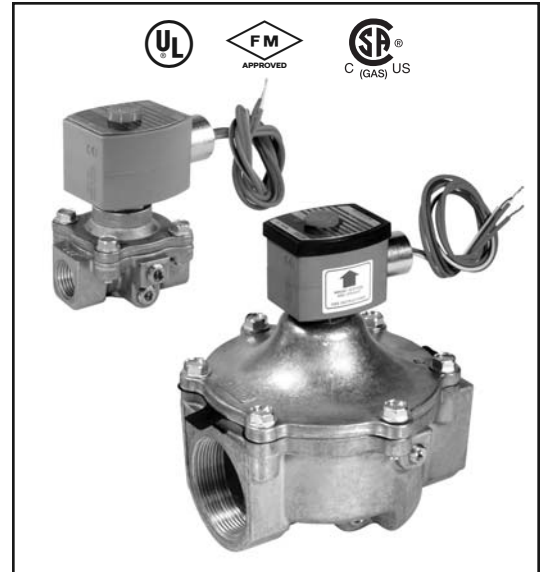
Standard Voltages: 24, 120, 240 volts AC, 60 Hz (or 110, 220 volts AC, 50 Hz) (238610); 120, 240 volts AC, 60 Hz (272610); 12, 24 volts DC.

Solenoid Enclosures

RedHat II molded epoxy Type 1, 2, 3, 3S, 4 and 4X combination. General Purpose and Watertight solenoid enclosures with 1/2" conduit hub as standard.

Valve Response Time

Opening Time: Less than 1 second; **Closing Time:** Less than 1 second



Approvals

UL listed to standard 429 "Electrically Operated Valves," Guide Y10Z, File MP618 Safety Shutoff Valves.

FM Approved to Class 7400 "liquid and gas safety shutoff valves."

CSA Certified to:

- 1) Standard C22.2 No. 139 "Electrically Operated Valves," File 010381.
- 2) Automatic Gas Valves Z21.21 (6.5), File 112872.
- 3) Automatic Gas Safety Shutoff Valves C/I (3.9), File 112872.

Specifications (English units)

Pipe Size (ins.)	Orifice Size (ins.)	Cv Flow Factor	Gas Capacity $\text{\textcircled{D}}$ Btu/hr.	Operating Pressure Differential (psi)		Max. Fluid Temp. °F		Catalog Number	Const. Ref.	Agency			Wattage		Approx. Shipping Weight (lbs)
				Min.	Max.	AC	DC			UL	FM	CSA	AC	DC	
COMBUSTION (Fuel Gas) - NORMALLY CLOSED															
3/8	3/4	3.4	183,000	0	5	125	104	8214G010	1	$\text{\textcircled{O}}$	$\text{\textcircled{O}}$	$\text{\textcircled{O}}$	17.1	22.6	2
1/2	3/4	4.4	238,500	0	5	125	104	8214G020	1	$\text{\textcircled{O}}$	$\text{\textcircled{O}}$	$\text{\textcircled{O}}$	17.1	22.6	2
3/4	3/4	5.1	247,500	0	5	125	104	8214G030	2	$\text{\textcircled{O}}$	$\text{\textcircled{O}}$	$\text{\textcircled{O}}$	17.1	22.6	2
3/4	1 5/8	11	580,000	0	5	125	-	8214G036	3	$\text{\textcircled{O}}$	$\text{\textcircled{O}}$	$\text{\textcircled{O}}$	20.1	-	4.3
1	1 5/8	21	1,119,000	0	5	125	-	8214G051	3	$\text{\textcircled{O}}$	$\text{\textcircled{O}}$	$\text{\textcircled{O}}$	20.1	-	4.3
1 1/4	1 5/8	32	1,730,000	0	5	125	-	8214G061	4	$\text{\textcircled{O}}$	$\text{\textcircled{O}}$	$\text{\textcircled{O}}$	20.1	-	4.3
1 1/2	1 5/8	35	1,900,000	0	5	125	-	8214G071	4	$\text{\textcircled{O}}$	$\text{\textcircled{O}}$	$\text{\textcircled{O}}$	20.1	-	4.3
2	2 3/32	60	2,800,000	0	5	125	-	8214G081	5	$\text{\textcircled{O}}$	$\text{\textcircled{O}}$	$\text{\textcircled{O}}$	20.1	-	6.3

$\text{\textcircled{O}}$ = Safety Shutoff Valve. $\text{\textcircled{D}}$ 1" W.C. Drop @ 2" W.C. Inlet Pressure, 1,000 Btu/cu.ft. or more, 0.64 Specific Gravity Gas.

Specifications (Metric units)

Pipe Size (ins.)	Orifice Size (mm)	Kv Flow (m³/hr)	Gas Capacity $\text{\textcircled{D}}$ Btu/hr.	Operating Pressure Differential (bar)		Max. Fluid Temp. °C		Catalog Number	Const. Ref.	Agency			Wattage		Approx. Shipping Weight (kgs)
				Min.	Max.	AC	DC			UL	FM	CSA	AC	DC	
COMBUSTION (Fuel Gas) - NORMALLY CLOSED															
3/8	19	2.9	183,000	0	0.3	52	40	8214G010	1	$\text{\textcircled{O}}$	$\text{\textcircled{O}}$	$\text{\textcircled{O}}$	17.1	22.6	0.9
1/2	19	3.7	238,500	0	0.3	52	40	8214G020	1	$\text{\textcircled{O}}$	$\text{\textcircled{O}}$	$\text{\textcircled{O}}$	17.1	22.6	0.9
3/4	19	4.3	247,500	0	0.3	52	40	8214G030	2	$\text{\textcircled{O}}$	$\text{\textcircled{O}}$	$\text{\textcircled{O}}$	17.1	22.6	0.9
3/4	41	9.4	580,000	0	0.3	52	-	8214G036	3	$\text{\textcircled{O}}$	$\text{\textcircled{O}}$	$\text{\textcircled{O}}$	20.1	-	2.0
1	41	17.9	1,119,000	0	0.3	52	-	8214G051	3	$\text{\textcircled{O}}$	$\text{\textcircled{O}}$	$\text{\textcircled{O}}$	20.1	-	2.0
1 1/4	41	27.2	1,730,000	0	0.3	52	-	8214G061	4	$\text{\textcircled{O}}$	$\text{\textcircled{O}}$	$\text{\textcircled{O}}$	20.1	-	2.0
1 1/2	41	29.8	1,900,000	0	0.3	52	-	8214G071	4	$\text{\textcircled{O}}$	$\text{\textcircled{O}}$	$\text{\textcircled{O}}$	20.1	-	2.0
2	53	51.0	2,800,000	0	0.3	52	-	8214G081	5	$\text{\textcircled{O}}$	$\text{\textcircled{O}}$	$\text{\textcircled{O}}$	20.1	-	2.9

$\text{\textcircled{O}}$ = Safety Shutoff Valve. $\text{\textcircled{D}}$ 1" W.C. Drop @ 2" W.C. Inlet Pressure, 1,000 Btu/cu.ft. or more, 0.64 Specific Gravity Gas.

Capabilities Chart

Solenoid Options		Base Catalog Number		Resilient Materials		Standard Rebuild Kit	
High Temp.	Junction Box	Aluminum		NBR		AC	DC
HB	JB	8214G010		●		316233	316790
HB	JB	8214G020		●		316233	316790
HB	JB	8214G030		●		316233	316790
HB	JB	8214G036		●		322374	-
HB	JB	8214G051		●		322374	-
HB	JB	8214G061		●		322374	-
HB	JB	8214G071		●		322374	-
HB	JB	8214G081		●		322376	-

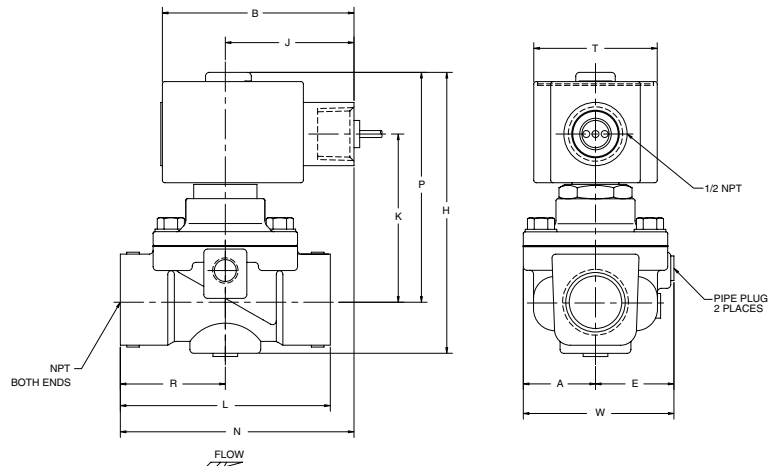
● = Standard. Other options may be available. All option combinations may not be available. Solenoid options are for AC only.

COMBUSTION

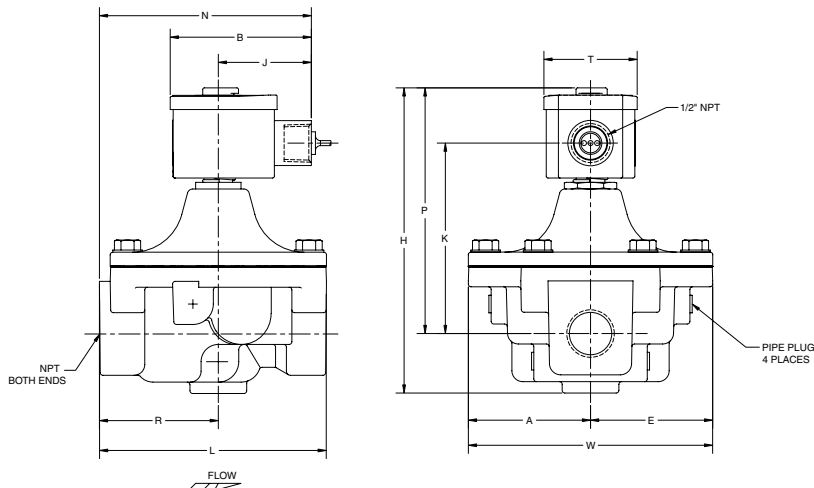
Dimensions inches (mm)

Const. Ref.		A	B	E	H	J	K	L	N	P	R	T	W
1	ins.	1.14	3.03	1.36	4.08	2.04	2.47	2.75	3.42	3.46	1.38	1.95	2.50
	mm	29	77	35	104	52	63	70	87	88	35	50	64
2	ins.	1.14	3.03	1.25	4.52	2.04	2.66	3.31	3.70	3.64	1.66	1.95	2.39
	mm	29	77	32	115	52	68	84	94	92	42	50	61
3	ins.	2.69	3.11	2.69	6.73	2.05	4.20	5.00	4.67	5.41	2.62	2.06	5.39
	mm	68	79	68	171	52	107	127	119	137	67	52	137
4	ins.	2.69	3.11	2.69	6.73	2.05	4.27	5.00	4.67	5.48	2.62	2.06	5.39
	mm	68	79	68	171	52	108	127	119	139	37	52	137
5	ins.	3.16	3.11	3.16	7.34	2.05	4.63	6.09	5.33	5.48	3.28	2.06	6.32
	mm	80	79	80	186	52	118	155	135	139	83	52	161

Const. Ref. 1, 2,



Const. Ref. 3, 4, 5



Must be mounted with solenoid vertical and upright with 20.1 watt coil.

