

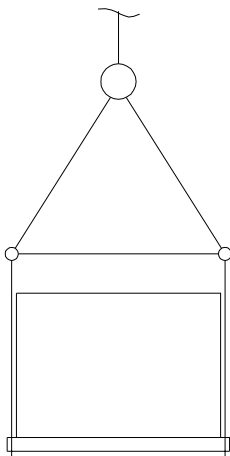
INSTALLATION TECHNICIAN

PLEASE READ BEFORE INSTALLING

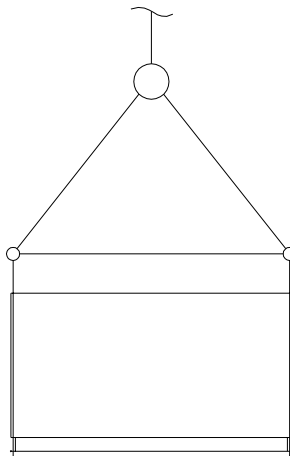
APPROXIMATE RIGGING WEIGHTS										
MATERIAL MODEL NO.	BASE UNIT		SIDE ACCESS FILTER SECTION		INLET HOOD		FILTERED INLET HOOD		INLET HOOD w/LOUVER	
	ALUM.	*GALV.	ALUM.	*GALV.	ALUM.	*GALV.	ALUM.	*GALV.	ALUM.	*GALV.
V1	255	285	40	55	30	35	35	40	45	50
V2	335	385	50	70	40	50	50	60	65	75
V3	490	560	75	100	50	65	60	75	90	105
V4	590	715	85	120	55	75	70	90	100	120
V5	790	940	100	150	60	100	80	120	130	170

* IF UNIT IS CONSTRUCTED OF ALUMINIZED STEEL, USE SAME WEIGHT AS GALV.

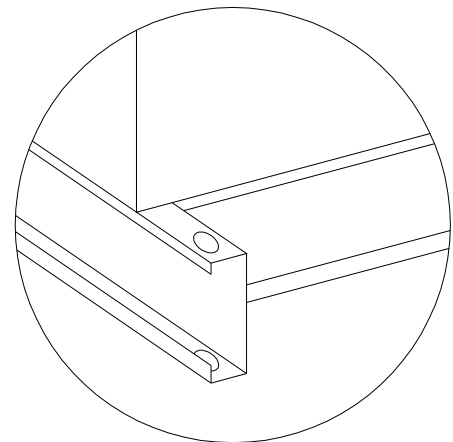
RIGGING TIPS & GUIDELINES



END VIEW
BASE UNIT



SIDE VIEW
BASE UNIT



CHANNEL
DETAIL